

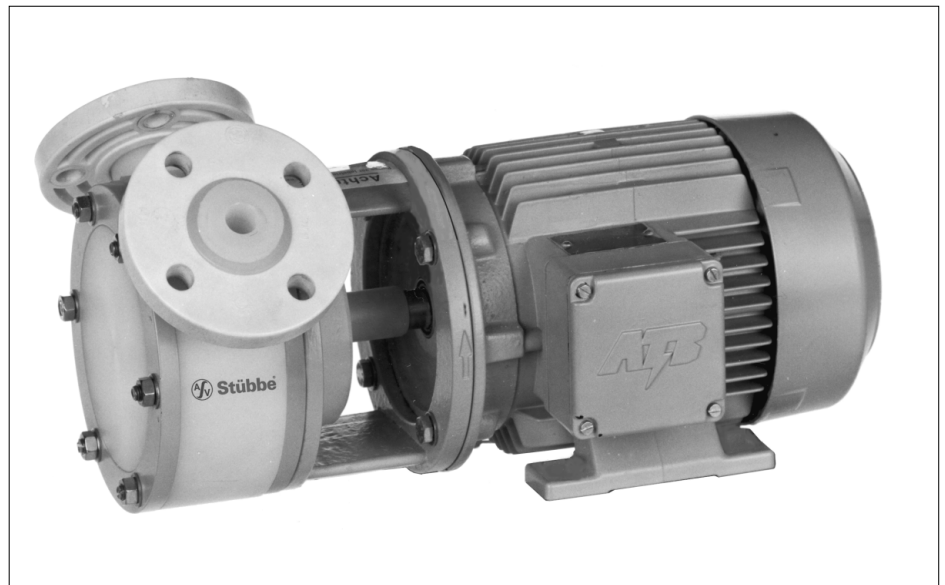
Peripheral Pump made out of thermoplastic material Type PB 25-100

- Pressure building up by impulse exchange for higher head, also at low volume
- Flow Capacity up to 5,5 m³/h
Head up to 60 m
- For neutral and aggressive fluids
- Material of construction PP, PVDF and PTFE
- Single or double acting mechanical seal
- Quality assurance according DIN ISO 9001

The ASV peripheral pumps type PB 25-100 transports neutral and aggressive fluids with low viscosity but without solids. In operation low volume of gas or air in the flow is allowed without endangering the flow by breakaways. The pressure build-up by pulse exchange guarantees a steep ascent of the characteristic curve with relatively high head, also at low volume.

Peripheral pumps of type PB offer many advantages for applications in:

- Processtechnology, chemical and pharmaceutical industries
- Metal-working industry
- Water treatment
- Waste water and general environmental protection region



Pumphousing:

Made of thermoplastics injectionmoulded respectively semifinished products (PTFE). The solid construction of all parts guarantees long life and safe operation also at higher temperature.

Pressure joint and suction intake:

Flanges turned by 90 degrees. Dimensions of DN 25 according DIN 2501, PN 10/16. GFK-flanges are screwed on. Without flanges screw necks according DIN 8063 are available.

Impeller:

Hydraulically and symmetrically balanced, constructed as star shaped impeller and allows to transport in both direction with identical data.

Mechanical seal:

Available according to the operating or fluid conditions as single or double acting mechanical seal. Double acting seals should be equipped also with flushing arrangements. As kit arranged on a shaftsleeve it is easy interchangeable.

Motordrive:

IEC Three phase current motor with extended shaft according to ASV-Standards:

IM B 34

Power 1,5 or 2,2 kW

n = 2900 RPM

Voltage 230/400 V 50(60) Hz

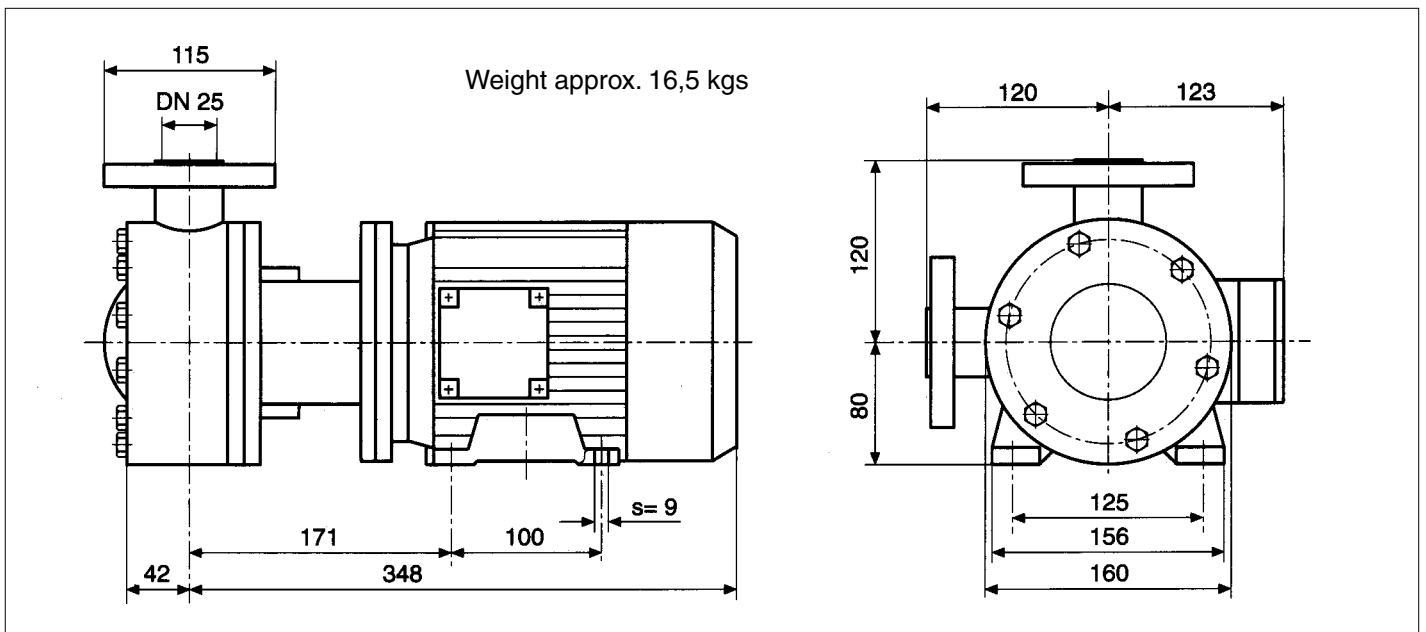
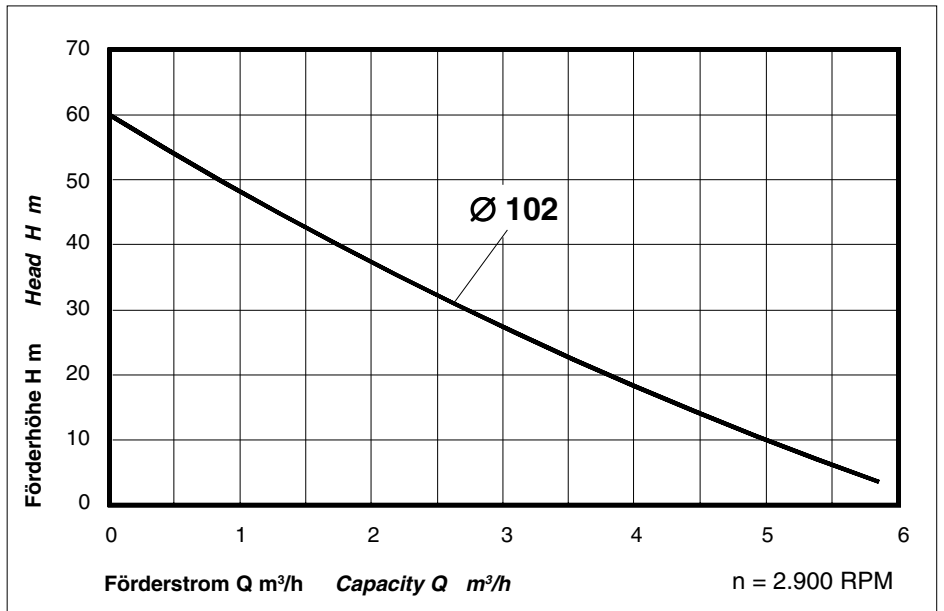
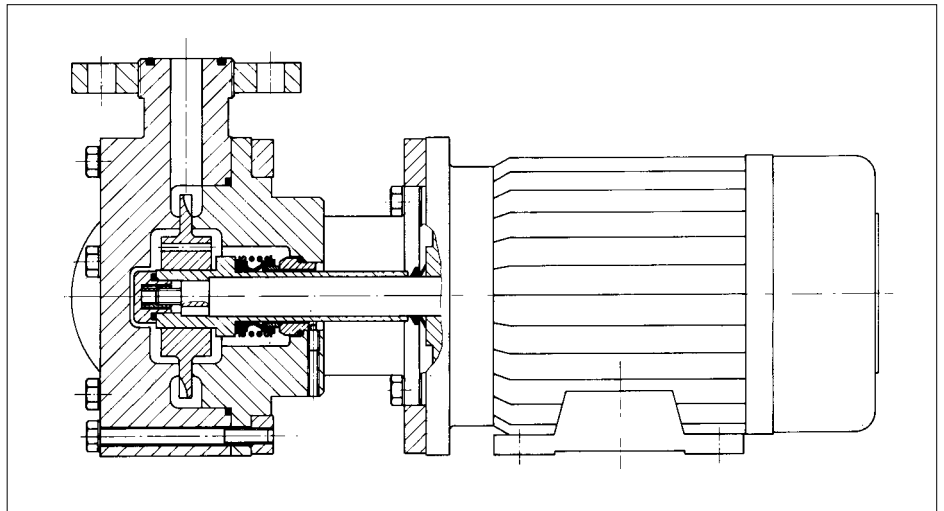
Protection IP 54/55

Material

- **Pump casing, Mechanical seal housing and Impeller:** PP, PVDF and PTFE
- **O-rings:** CSM and FPM
- **Splash ring:** FPM
- **Motor lantern:** GG

Technical Data

- **Volume and head**
see characteristic curves, demand of energy and motor power on request.
- **Pressure rating:** PN 10
- **Fluid Temperature:**
Depending on application and considers also the long-time rupture strength approximately:
PP: up to + 70 °C
PTFE: up to + 90 °C
PVDF: up to + 90 °C
Values below 0 °C on request with exact data of operation
- **Fluid viscosity:**
bis 160 mPas (160 cP)
- **Pressure joint and suction intake:** DN 25



Errors and omissions excepted